

#### Description:

Rainwater harvesting filter for bigger roof areas with a filter housing made of stainless steel.

The filter can be installed in a pre-chamber shaft or can be hanged up with wall brackets. If you install the Evo commercial DN250 inside a concret shaft, you can use a standard one with Ø1500mm.

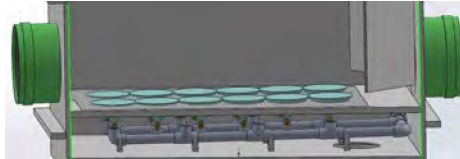
The filter plate made of stainless steel with his V-shapes insure the highest efficiency of more than 95% and a long lifetime thanks to his strong construction.

The dirt bigger than 0,6mm will be hold back and washed out with the next rainfall to the sewer. Including stainless steel lid.

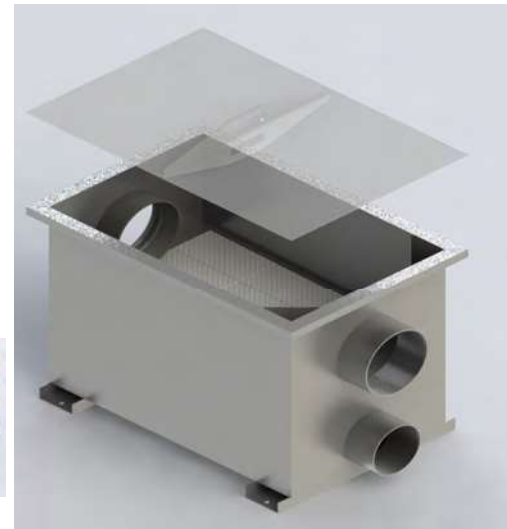
Connection capacity according to DIN 1986: for roof areas up to 2433 m<sup>2</sup> at a rainfall intensity of 300 l/(sxha)

Inlet rainwater: DN250  
 Outlet to storage: DN200  
 Outlet to sewer: DN250

The filter has to be cleaned depending on the contamination 1 - 2 times during the year.

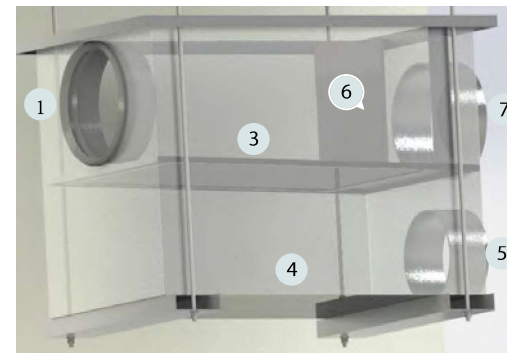


can be optionally installed with a automatic backwash device.



#### How it works:

1. Rainwater inlet let the rainwater flow the first chamber of the filter.
2. Direction unit distributes the incoming rainwater over the full filter plate and is installed at the lid.
3. Rainwater will be cleaned by the v-shaped stainless steel filter plate of bigger dirt particles then 0,6mm. The filter plate can be easily removed with an removal eye.
4. Filtered water will be calmed in the second chamber of the filter.
5. Cleaned water flows to the rainwater storage tank, where it can be pumped up to the using points.
6. Diverter plates gives the dirt particles with the next heavy rainfall the direction to the sewer outlet.
7. Dirt water outlet to the sewer.



Profile filter plate



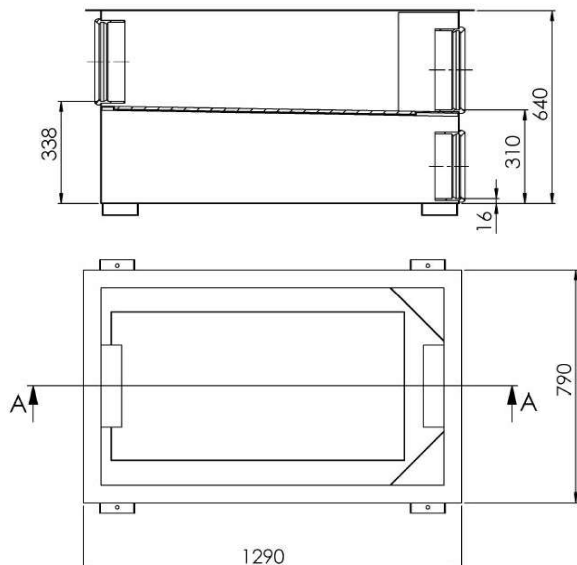
#### Technical Data:

Filter according to DIN 1989-2, Typ C

Rainwater Inlet: DN250  
 Outlet to storage: DN200  
 Outlet to sewer: DN250

Material Filter casing: Stainless steel  
 1.4301 Material Filter sieve: Stainless steel 1.4301  
 Mesh size: 0,6mm  
 Filter sieve easily removable with an M8 removal eye.

Weight: 100 kg



**Example 1:**

Installation of the filter in pre-chamber shaft



Pipe diameter :  
Max. flow rate:  
Connatable area max.200l/(sxha )  
Connatable area max.300l/(sha)

**Example 2:**

Installation of the filter with wall brackets



DN250  
120,1l/s  
3650m<sup>2</sup>  
2433m<sup>2</sup>

**Tested:**

by University of applied Sciences Biberach



More than 80% of the average intensity rainfall in Germany is under 15 l/(sxha), resulting a volume flow rate of 3,65 l/s with a roof area of 2433 m<sup>2</sup>.

**Text for invitation of tenders:**

Pos. Quantity Article

1.1 \_\_\_\_\_ Evo Commercial DN250 rainwater filter Typ C according DIN1986-2 or the installation in a concrete shaft Ø 1500 mm or hanging up with wall brackets.

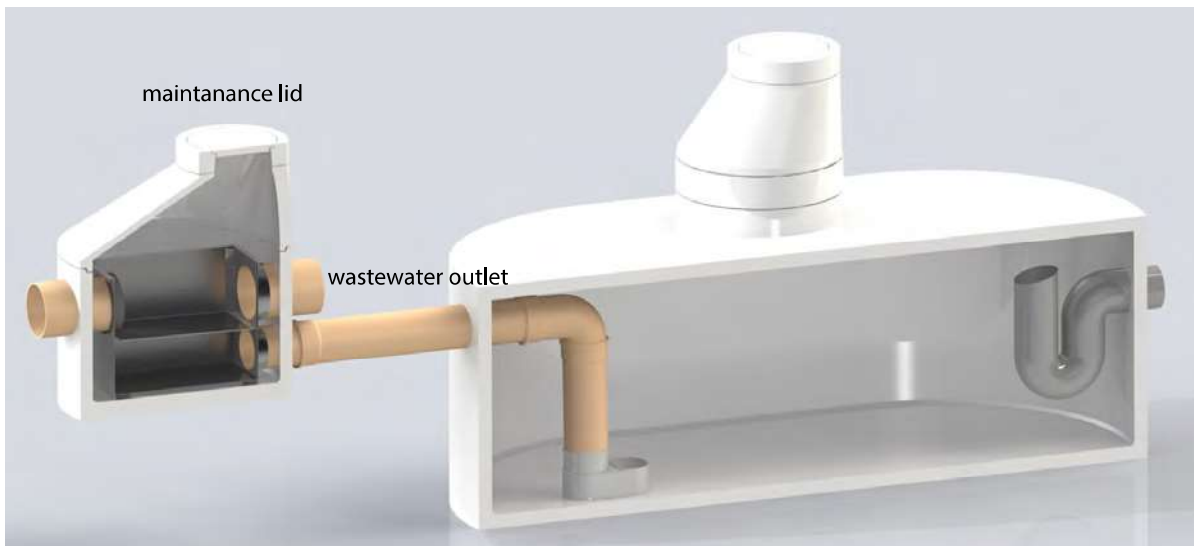
Filter plate made of stainless steel with a mesh size of 0,6mm.

Pipe diameter rainwater inlet: DN250, storage outlet diameter: DN200, sewer outlet: DN250.

Connectable area with a rain intensity of 300l/(sxha) 2433m<sup>2</sup>.

Optional automatic backwash device.

Including staines steal lid with removable bar for easy access to the filter plate.



Evo Aqua GmbH  
Kirchstrasse 17  
89355 Gundremmingen  
Germany  
www.evo-aqua.de  
info@evo-aqua.de

Our promise:  
All our products are

