

TOPAZ PARTFILL

PRODUCT INFO



Partfill-DD TECHNISCHE SB

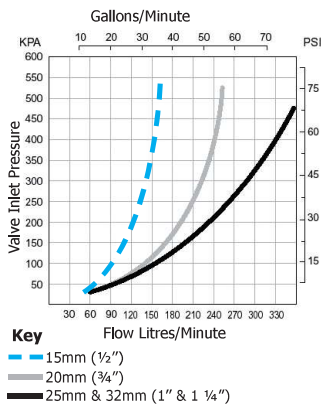
Description

Topaz Part Fill is a high flow valve intended for use in rain water harvesting tanks. The purpose of the float valve is to automatically maintain a low level of water in the tank during periods of no or low rainfall. This allows services fed by the tank to continue while leaving capacity in the tank for refilling by the next rain.

Applications

- Maintaining water levels in:
- Rain water harvesting tanks
 - Water cisterns
 - Irrigation and process applications.

Flow Graph



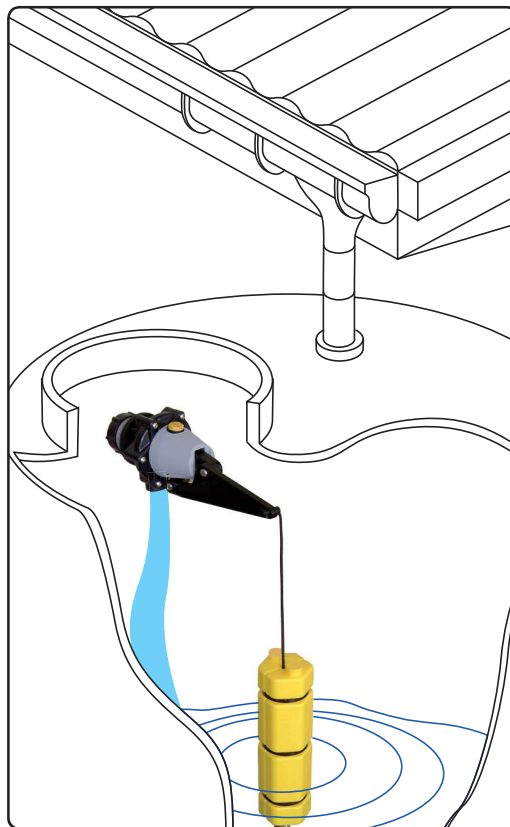
Features

- Ideal for use with all makes and models of rain water harvesting tanks
- Compact
- Constructed from non corroding materials
- Built in non return valve
- Valve can be locked in off position using the lock off switch
- Up to 150mm differential obtainable (dependant on pressure)
- Detach™ Valve Seal Access System for quick access to valve seal (Patented)

Available Inlet Sizes

- 15mm (1/2")
- 20mm (3/4")
- 25mm (1")
- 32mm (1 1/4")

All supplied in Detach™ long tail thread with back nut.



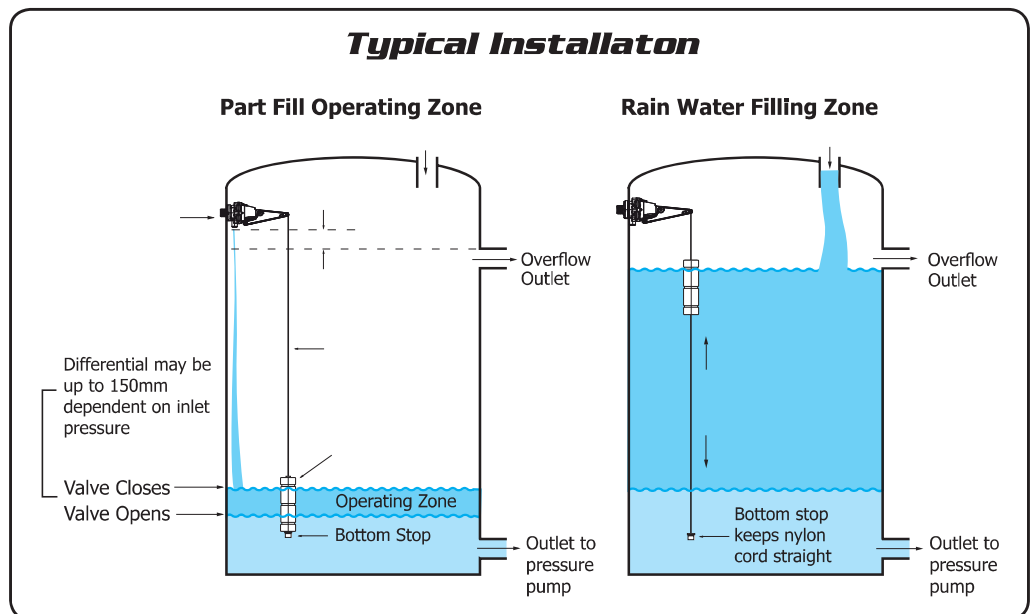
Principle of Operation

- The Valve is installed through the side wall of a storage tank. It should be mounted above the overflow level of the tank to prevent backflow.
- As the tank empties the weighted float travels down the cord and sits on the bottom stop to activate the valve.
- The valve will run until the weighted float lifts clear of the bottom stop.
- The float will then rise as rainwater fills the tank and falls as the tank water is used.
- The Valve will only function at times when rain fall is insufficient to maintain a water level in the tank above the bottom stop.

Pressure Range

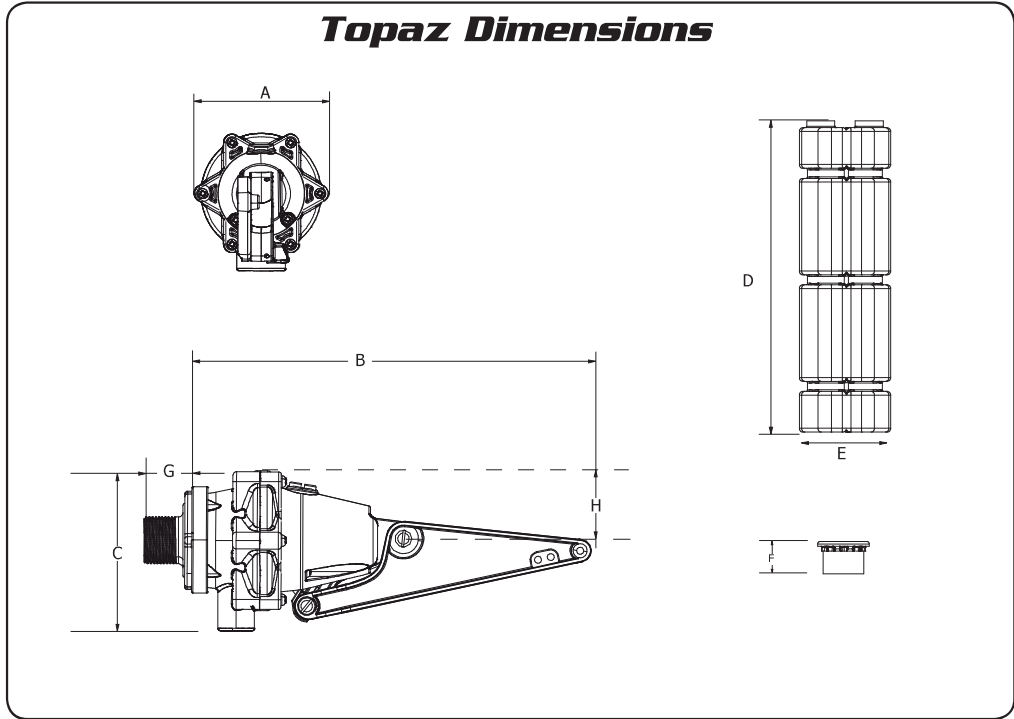
0.3 Bar – 10 Bar (5 psi-150 psi)

Typical Installation



TOPAZ PARTFILL

DIMENSIONS & MATERIALS



Topaz Dimensions		
	mm	inches
A	88	3 1/2
B	227	8 15/16
C	90	3 17/32
D	208	8 3/16
E	62	2 7/16
F	20	12/16
G 15mm (1/2") Long Tail	100	3 15/16
20mm (3/4") Long Tail	46	1 13/16
25mm (1") Long Tail	62	2 7/16
32mm (1 1/4") Long Tail	67	2 21/32
H	35	1 3/8

Materials	
Valve Body	ABS
Yellow & White Internal Parts	Acetal
Filter	Acetal
Diaphragm	EPDM
Seal	Urethane
Springs, Bolts, Nuts, Pin, Screws	304 Stainless Steel
Detach Seal	Santoprene
O'Rings	Nitrile
Float	HDPE
Float Cord	Polyester

Maximum Temperature of Operation 45°C, 115°F
 NB: High Temperature models on request.

TOPAZ PARTFILL

PARTS IDENTIFICATION SHEET



TOPAZ Partfill

