



**DD TECHNICHE SDN BHD**  
 No 11-3 Jalan USJ21/1, Subang Jaya  
 47630 Selangor, Malaysia

[www.ddtechniche.com](http://www.ddtechniche.com)

# HDPE Tank

## Model : DD675

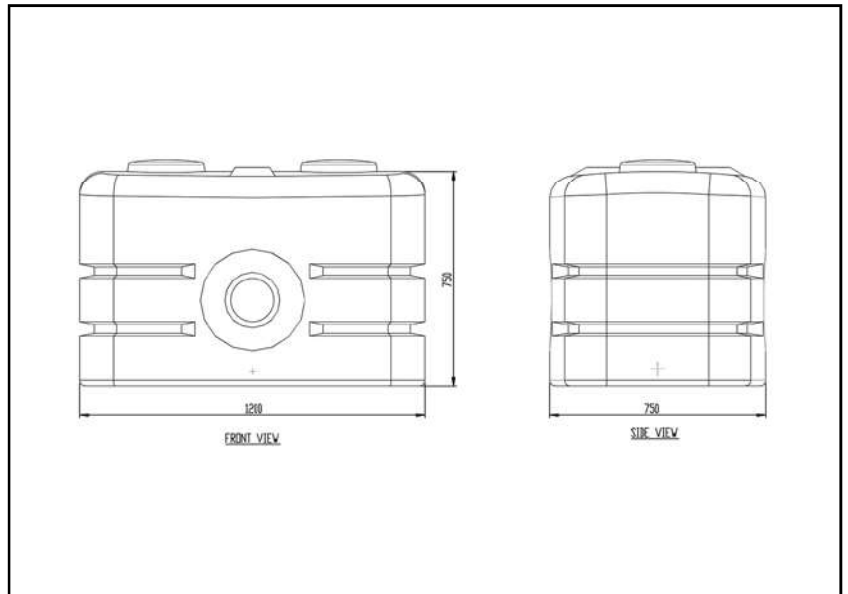
UV Resistant HDPE / 8mm thick / 38kg

### Rainwater Storage Tank

The DD675 Wall Tank is a rainwater storage tank for domestic use. It has a capacity of 650 Litres and is designed to stand stably on its base. It does not require further support and its low height will not obstruct windows.

The tank is strong and durable, retains its shape well when filled full or empty, able to withstand harsh weathering conditions and maintains constant water quality.

Suitable for location on floor or on concrete roof slab or on the balcony of the house.



### Features :

The tank is made from durable HDPE and is UV resistant. It is manufactured by rotational moulding process to get seamless and even wall thickness.

Water outlets are available on all 4 sides of the tank and are pre-threaded.

Water inlet can be positioned on flat surfaces anywhere near the top of the tank by cutting holes using a hole saw.

The modular design allows 2 or more tanks to be connected together.

### Colours :



Beige



Grey



Green



### Technical Data :

Dimensions : 1200x750x750(H) mm  
 Capacity : 650 Litres

- Outlets : 1/2" BSP x 2 nos front & rear
- Outlets : 1-1/2" BSP x 2 nos L & R
- Covers : 250mm x 2
- Material : HDPE
- Thickness : 8 mm average
- Tank weight : 38kg

### Colour and Packing :

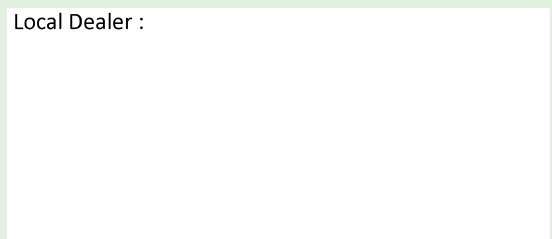
Standard colours :

- Beige
- Grey
- Green

Packing:

- Individually cardboard & plastic film wrapped

Local Dealer :



*\*\*Specifications subject to change without prior notice*